

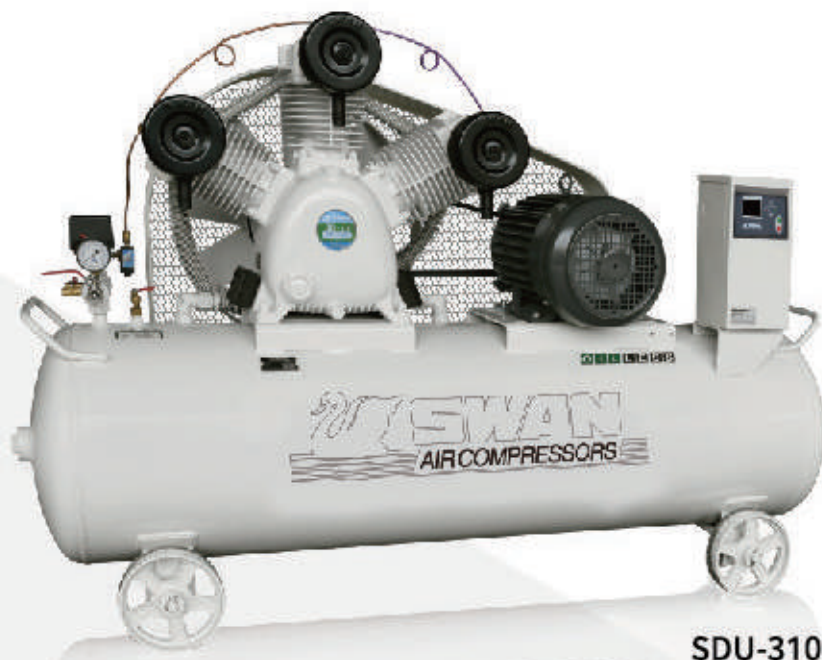
無油式空壓機

Oil-less Air Compressor



往復式空壓機

Reciprocating Air Compressor



SDU-310

無油優勢

Oil-less Advantage

採用高信賴精密零組件，提供穩定的產品壽命；乾式運轉設計結構不使用潤滑油，避免油氣汙染製程設備與產品，能以更低的處理成本來達成高品質潔淨空氣需求。

High reliability precision components to provide stable product life; Dry running design structure does not use lubricant, avoiding the pollution of oil mist on equipment and products, to lower the processing cost to achieve high quality clean air demand.

型式 Model	規格 Specs.	馬力 Motor (kW/hp)	使用壓力 Working Pressure (kg/cm ²)	排氣量 F.A.D. (l/min)	儲氣桶容量 Tank Capacity (liter)	尺寸 Dimension LxWxH (mm)	重量 Weight (kg)
SDU-203		2.2 / 3	8	285	155	1480X520X950	150
SDU-205		3.7 / 5	8	485	240	1525X580X1200	230
SDU-307		5.5 / 7.5	8	730	300	1835X650X1300	250
SDU-310		7.5 / 10	8	885	300	1835X650X1300	250
SDU-415		11 / 15	8	1320	300	1835X650X1300	330

※本公司不斷研究改進，規格數據若有變更，恕不另行通知。

※如有規格外之壓力、馬力、排氣量等其他需求，歡迎您與本公司洽詢！

※Reserve the right to alter design or specifications. Due to time lag, actual specification may differ from that shown above.

※Other specific requirement about working pressure, horsepower, air delivery, etc. are available upon request.



結構 Structure

高信賴的機體組件 Highly Reliable Components

墊片 Gasket

石墨材質，耐高溫、導熱性佳、無毒環保
Graphite material, high temperature resistant, good heat conduction, non-toxic pollution, environmental friendly

進/排氣閥組 Suction/Discharge Valve Assy

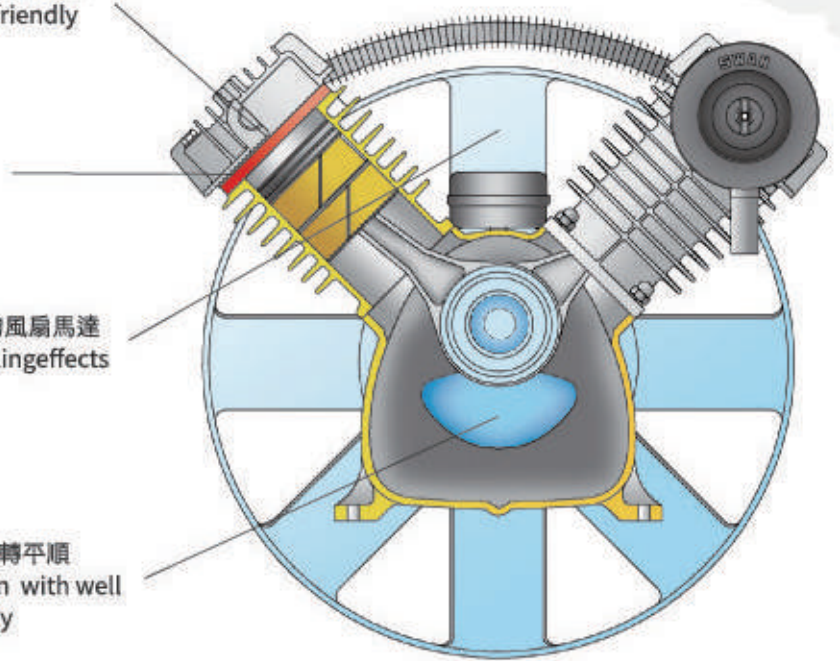
高效率、壽命長
High efficiency,
Longer working life

冷卻系統 Cooling System

經平衡校正的大型散熱風扇；節省能源、不必額外的風扇馬達
Well balanced cooling fan provides sufficient cooling effects and energy-saving

曲軸 Crankshaft

堅韌材質，平衡校正、中空設計，降低運作溫度、運轉平順
High grade ductile cast iron; hollow casting design with well balanced to make running smoothly and efficiently



鋁合金汽缸

Aluminum Alloy Cylinder

表面經硬膜處理，散熱、耐磨耗性佳

Aluminum alloy cylinder: the cylinder be covered with special treatment to ensure good heat dissipation, wear resistance and smooth running



壓縮環組

Compression Ring Set

自潤性與耐磨性的PTFE特殊材質，耐磨耗性佳

Compression ring group: with self-lubricating and anti-friction material to ensure smooth and long-last running



連桿與軸承組

Combine Connecting Rod and Bearings

採用特殊油脂軸承使零件壽命增長

With special grease for bearing lubrication to ensure its long service life

箱型靜音空壓機

Cabinet Silent Air Compressor



SDU-205CD



SDU-203C-1



特性 Features

- 靜音運作，高流量空氣冷卻系統，提升運轉效率
- 節能電子控制系統，提供潔淨無油的空氣氣源
- 大型風扇、散熱快，經濟耐用、壽命長
- 全半自動、真方便
- Silent operation, High capacity cooling air system for performance improving
- Energy-saving electronic control system. Provide clean and oil-less compressed air
- Better cooling effects by enlarged cooling fan
More durable and economic for long-life operation
- User-friendly dual control system

SDU-C/SDU-CD系列，無油潔淨的空氣品質，加上高效能噪音阻絕設計、結實的框架式結構，帶給您潔淨又安靜的雙重優質體驗。運轉安靜、佔地小、簡易操作、維護容易。

SDU-C/SDU-CD series air compressors provide oil-less & dirt-free purified compressed air to meet your needs. The sturdy frame-structured enclosed cover is featured with high-efficient cooling air circulating system and noise-proof material to substantially reduce the noise & vibration in operation, and provide quiet working environment. The dependable oil-less silent model will deliver clean air and greatly reduce the noise level. In addition, the compact design, and user friendly interface, combined with the optimized controller can monitor the working status and improve its reliability.



箱型靜音空壓機

Cabinet Silent Air Compressor



SDU-415C-1

SDU-102C

SDU-430CD

型式 Model	規格 Specs	馬力 Motor (kW/hp)	使用壓力 Working Pressure (kg/cm ²)	排氣量 F.A.D. (l/min)	噪音值 Noise Level (dB)	尺寸 Dimension LxWxH (mm)	重量 Weight (kg)
SDU-102C		1.5 2	8	180	65	690X750X1045	176
SDU-203C-1		2.2 3	8	285	70	850X730X1280	195
SDU-205C-1		3.7 5	8	485	70	850X730X1280	210
SDU-307C-1		5.5 7.5	8	730	73	960X830X1370	315
SDU-310C-1		7.5 10	8	885	73	960X830X1370	330
SDU-415C-1		11 15	8	1225	75	1000X970X1360	539

型式 Model	規格 Specs	馬力 Motor (kW/hp)	使用壓力 Working Pressure (kg/cm ²)	排氣量 F.A.D. (l/min)	噪音值 Noise Level (dB)	過濾器 Air Filter	尺寸 Dimension LxWxH (mm)	重量 Weight (kg)
SDU-205CD		3.7 5	8	451	65	ARB ARA	850x730x1470	330
SDU-310CD		7.5 10	8	793	70	ARB ARA	960x830x1740	366
SDU-415CD		11 15	8	1225	75	ARB ARA	1000x970x1780	660
SDU-430CD		11X2 15X2	8	1225X2	75	ARB ARA	1830x970x1700	1196

※本公司不斷研究改進，規格數據若有變更，恕不另行通知。

※如有規格外之壓力、馬力、排氣量等其他需求，歡迎您與本公司洽詢！

※Reserve the right to alter design or specifications. Due to time lag, actual specification may differ from that shown above.

※Other specific requirement about working pressure, horsepower, air delivery, etc. are available upon request.

結構 Structure

STABILITY



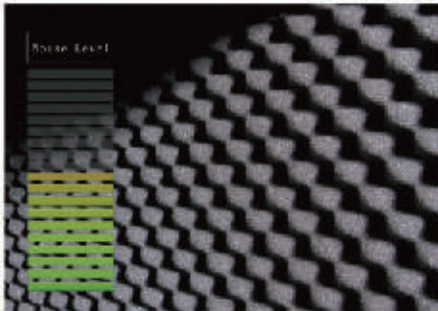
無油優勢 Oil-less Advantage

採用高信賴精密零組件，提供穩定的產品壽命；乾式運轉設計結構不使用潤滑油，避免油氣汙染製程設備與產品，能以更低的處理成本來達成高品質潔淨空氣需求。
High reliability precision components to provide stable product life; Dry running design structure does not use lubricant, avoiding the pollution of oil mist on equipment and products, to lower the processing cost to achieve high quality clean air demand.



後部冷卻器 After Cooler

高效能後部冷卻器和大冷卻風扇系統，有效降低空氣出口與運轉機體溫度。
After-cooler and big cooling fan system effectively reduce the temperature of the air outlet and the operating bare pump.



噪音阻絕設計 Noise Blocking Design

採用結實板金結構與吸音棉與高效能防音設計，有效降低運轉噪音和震動。
Adopt strong sheet metal structure, sound-absorbing cotton and sound proof design to reduce running noise and vibration effectively.



緩衝避震器 Cushion Shock-absorber

防震效率佳，有效減緩運轉噪音。結構堅固，耐受性佳，使用壽命長。
Effectively reduce the running noise, and the anti-vibration efficiency is good. Sturdy structure, good weather resistance and long service life.



內建乾燥機及過濾器 (僅SDU-CD系列機型)

Air Dryer & Filters Built In (only SDU-CD series)

整機結合乾燥機與過濾器，使無油空氣更加乾燥及潔淨。
SDU-CD series are equipped with refrigerated air dryer and filters to provide superior clean and dry air.

單機雙機空壓機

Simplex/Duplex Air Compressor



SDT-415

SDS-415

GP-510



結構 Structure

無油優勢 Oil-less Advantage

採用高信賴精密零組件，提供穩定的產品壽命；乾式運轉設計結構不使用潤滑油，避免油氣汙染製程設備與產品，能以更低的處理成本來達成高品質潔淨空氣需求。

High reliability precision components to provide stable product life; Dry running design structure does not use lubricant, avoiding the pollution of oil mist on equipment and products, to lower the processing cost to achieve high quality clean air demand.

後部冷卻器 After Cooler

效能佳的後部冷卻器及大冷卻風扇系統，有效降低空氣出口溫度。

With excellent performance of the after cooler and a large cooling fan to effectively reduce the outlet temperature.

皮帶調整機構 Belt Tension Mechanism

皮帶張力調整容易，日常維護簡易確實。

Easy to adjust the belt's tension for easy and simple routine maintenance.

型式 Model	規格 Specs.	馬力 Motor (kW/hp)	使用壓力 Working Pressure (kg/cm ²)	排氣量 F.A.D. (l/min)	儲氣桶容量 Tank Capacity (liter)	尺寸 Dimension LxWxH (mm)	重量 Weight (kg)
GP-510		3.7 5	8	485	165	1440X1230X1400	400

型式 Model	規格 Specs.	馬力 Motor (kW/hp)	使用壓力 Working Pressure (kg/cm ²)	排氣量 F.A.D. (l/min)	尺寸 Dimension LxWxH (mm)	重量 Weight (kg)
SDS-205		3.7 5	8	485	700X620X1120	200
SDS-310		7.5 10	8	885	880X710X1305	305
SDS-415		11 15	8	1225	935X730X1330	415
SDT-205		3.7X2 5X2	8	970	1780X620X1150	435
SDT-310		7.5X2 10X2	8	1770	1910X710X1330	615
SDT-415		11X2 15X2	8	2450	2050X800X1300	883

※本公司不斷研究改進，規格數據若有變更，恕不另行通知。

※如有規格外之壓力、馬力、排氣量等其他需求，歡迎您與本公司洽詢！

※Reserve the right to alter design or specifications. Due to time lag, actual specification may differ from that shown above.

※Other specific requirement about working pressure, horsepower, air delivery, etc. are available upon request.

壓縮機體

Oil-less Compressor Pump



SDU(P)-310N

單段壓縮設計 Single Stage Design

- 壓力10 kg/cm²，單段壓縮設計
- 高效能冷卻系統
- Single stage with pressure up to 10 kg/cm²
- High efficient cooling system



HDP-415

雙段壓縮設計 Two Stage Design

- 壓力12 kg/cm²，雙段壓縮設計
- 高效能冷卻系統，大風量風扇、高效率冷卻系統
- Two stage design with working pressure up to 12 kg/cm²
- High efficient cooling system

無油式空壓機體

Oil-less Air Compressor Pump

- 無油式空壓機，提供100%清淨無油的壓縮空氣。高效率冷卻系統組件，適合重負載連續運轉。
- 高效率中間冷卻器及後部冷卻器，有效降低排氣溫度。高效率、高壽命。高強度、高精度、高信賴度的零組件設計。
- Oil-less air compressors provide 100% pure oil-less compressed air. High efficiency cooling system components for heavy-duty continuous operation.
- High efficiency inter-cooler and after-cooler (option) will reduce the temperature of compressed air.

型式 Model	規格 Specs.	馬力 Motor (kW/hp)	使用壓力 Working Pressure (kg/cm ²)	排氣量 F.A.D. (l/min)	尺寸 Dimension LxWxH (mm)	重量 Weight (kg)
SDU(P)-203		2.2 3	8	285	570X450X565	52
SDU(P)-205		3.7 5	8	485	625X465X620	71
SDU(P)-307		5.5 7.5	8	730	720X520X690	90
SDU(P)-310		7.5 10	8	885	720X520X690	90
SDU(P)-415		11 15	8	1320	810X560X700	105
SDU-420		15 20	8	1635	1145X805X875	321
SDU-425		18 25	8	2037	1145X805X875	321
SDU-430		25 30	8	2495	1145X805X875	321

型式 Model	規格 Specs.	馬力 Motor (kW/hp)	使用壓力 Working Pressure (kg/cm ²)	排氣量 F.A.D. (l/min)	尺寸 Dimension LxWxH (mm)	重量 Weight (kg)
SDU(P)-205N		3.7 5	10	427	625x465x620	71
SDU(P)-310N		7.5 10	10	799	720x520x690	90
SDU(P)-415N		11 15	10	1056	810x560x700	105
HDP-205		3.7 5	12	389	610x465x585	89
HDP-310		7.5 10	12	834	705x520x690	113
HDP-415		11 15	12	1250	780x560x655	142
HDU-420		15 20	12	1540	1090x805x875	355
HDU-425		18 25	12	1849	1090x805x875	355
HDU-430		25 30	12	2211	1090x805x875	355

※本公司不斷研究改進，規格數據若有變更，恕不另行通知。

※如有規格外之壓力、馬力、排氣量等其他需求，歡迎您與本公司洽詢！

※Reserve the right to alter design or specifications. Due to time lag, actual specification may differ from that shown above.

※Other specific requirement about working pressure, horsepower, air delivery, etc. are available upon request.



東正鐵工廠 股份有限公司

TONG CHENG IRON WORKS CO., LTD.
No. 16, Sec. 2, Ta Chin Street, South Dist., Taichung 402026, Taiwan

總公司

402026 台中市南區大慶街二段16號
☎ 04 2261 2135 ☎ 04 2262 8246/04 2261 5465
🌐 www.swan-aircompressor.com

台北營業所

248018 新北市五股區五權五路43號
☎ 02 2299 1285 ☎ 02 2298 2296

台南營業所

710005 台南市永康區中正南路635號
☎ 06 253 9848 ☎ 06 253 9849



Management System
ISO 9001:2015
www.tuv.com
ID: 2015080128



選用大豆油墨，守護地球
永續，實現美好未來。